

MAINTENANCE FREE, SEALED LEAD-ACID BATTERY
 RATING: 12V. 7.8Ah



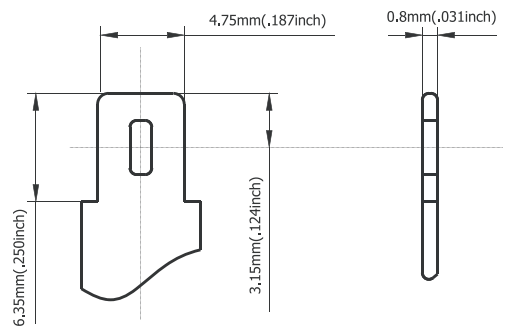
ZIRCON
 D-Power Valve Regulated
 Lead Acid batteries are designed with AGM (Absorbent Glass Mat) technology high performance plates and electrolyte to gain extra power output for common power backup system applications widely used in the field of UPS, Emergency Lighting System.

FEATURES

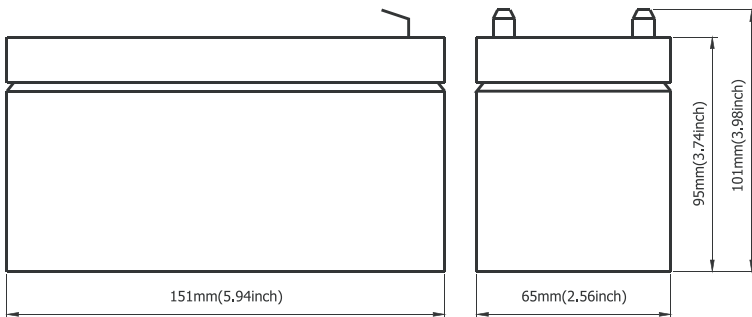
- High quality and high reliability
- Flexibility design for multiple install positions.
- Exceptional deep discharge recovery performance.
- Safety valve installation for explosion proof
- Sealed and maintenance free operation.
- Low self discharge characteristic.

CONSTRUCTION

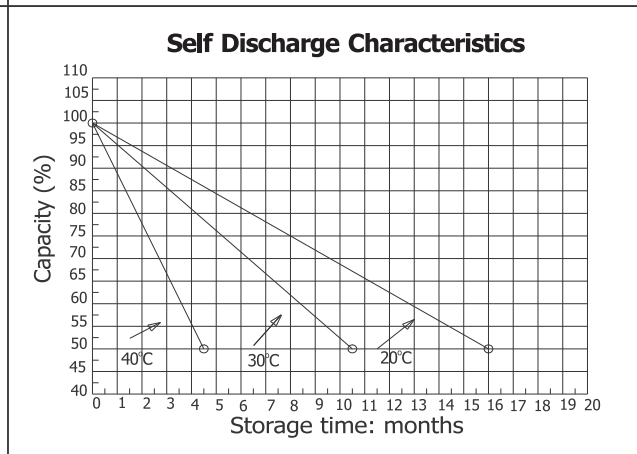
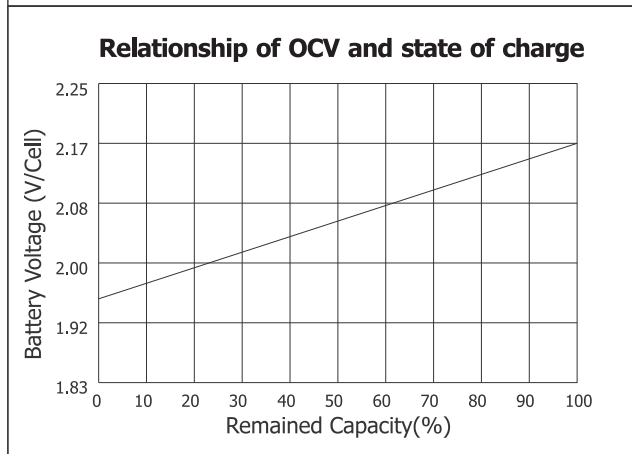
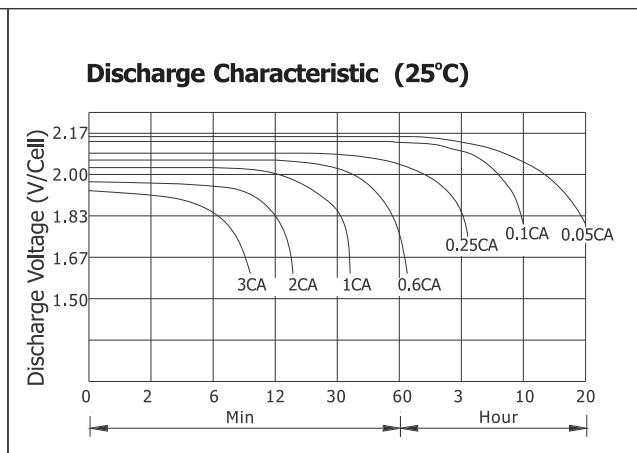
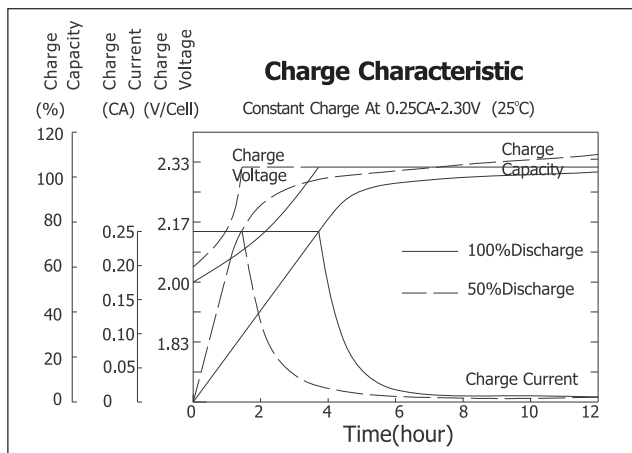
- ComponentRaw material
- PositiveLead dioxide
- NegativeLead
- ContainerABS
- CoverABS
- SealantEpoxy
- Safety valveEPDR
- TerminalCopper



Terminal Dimensions



Battery Model	DP12-7.8			
Designed Floating Life	5 Years			
Capacity(25°C)	20HR(0.375A,1.80V)	10HR(0.68A,1.80V)	5HR(1.27A,1.75V)	1HR(4.90A,1.60V)
	7.5AH	6.80AH	6.35AH	4.90AH
Dimensions	Length	Width	Height	Total Height
	151mm(5.94inch)	65mm(2.56inch)	95mm(3.74inch)	101mm(3.98inch)
Approx. Weight	2.55Kg (5.62 lbs)			
Internal Resistance	Full charged at 25°C: 0.02 Ohm			
Self Discharge	3% of capacity declined per month at (25°C)			
Capacity Affected by Temp.(20HR)	40°C	25°C	0°C	-15°C
	102%	100%	85%	65%
Charge Voltage(25°C)	Cycle use		Float use	
	14.4-15V(-30mV/ °C), max. Current: 2.25A		13.6-13.8V(-20mV/ °C)	



Constant current discharge ratings-amperes at 25°C

F.V/Time	5MIN	10MIN	15MIN	30MIN	1HR	3HR	5HR	10HR	20HR
1.60V	29.3	18.2	13.8	8.39	4.90	2.34	1.36	0.70	0.42
1.67V	27.5	17.3	13.2	8.02	4.84	2.25	1.33	0.70	0.41
1.70V	25.2	16.7	12.9	7.29	4.69	2.10	1.30	0.69	0.40
1.75V	24.7	16.1	12.5	6.93	4.47	2.03	1.27	0.69	0.39
1.80V	22.1	15.4	11.4	6.42	4.19	1.95	1.20	0.68	0.38
1.85V	19.5	14.7	10.2	5.91	3.90	1.88	1.12	0.67	0.37

Constant power discharge ratings-watts at 25°C

F.V/Time	5MIN	10MIN	15MIN	30MIN	1HR	3HR	5HR	10HR	20HR
1.60V	51.4	32.9	25.1	15.1	8.85	4.15	2.30	1.41	0.84
1.67V	49.6	32.1	24.8	14.8	8.80	4.02	2.29	1.40	0.81
1.70V	46.7	31.8	24.6	13.9	8.63	3.84	2.26	1.39	0.80
1.75V	47.0	31.7	24.4	13.4	8.48	3.75	2.24	1.37	0.78
1.80V	43.0	31.2	22.6	12.8	7.99	3.64	2.17	1.36	0.76
1.85V	39.0	29.6	20.5	12.0	7.52	3.53	2.10	1.34	0.73

