

MAINTENANCE FREE, SEALED LEAD-ACID BATTERY
 RATING: 12V.9Ah

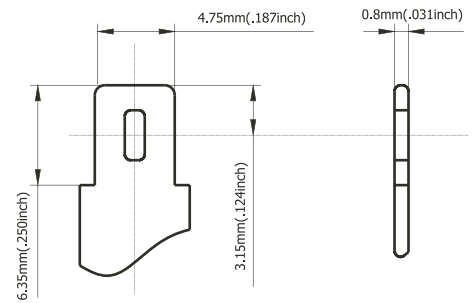
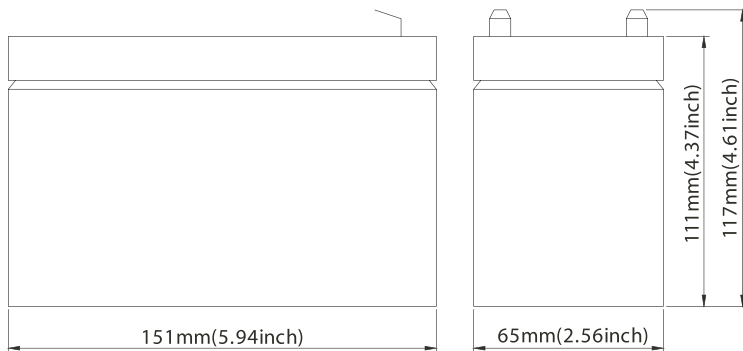


ZIRCON Valve Regulated

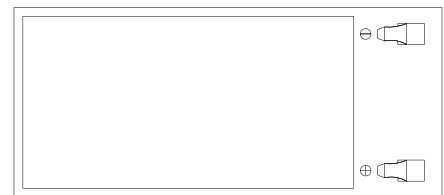
Lead Acid batteries are designed with AGM (Absorbent Glass Mat) technology high performance plates and electrolyte to gain extra power output for common power backup system applications widely used in the field of UPS, Emergency Lighting System.

FEATURES

- High quality and high reliability
- Flexibility design for multiple install positions.
- Exceptional deep discharge recovery performance.
- Safety valve installation for explosion proof
- Sealed and maintenance free operation.
- Low self discharge characteristic.



Terminal Dimensions



Battery Model	12-9			
Designed Floating Life	5 Years			
Capacity(25°C)	20HR(0.45A,1.75V)	10HR(0.85A,1.75V)	5HR(1.53A,1.75V)	1HR(5.85A,1.75V)
	9AH	8.5AH	7.65AH	5.85AH
Dimensions	Length	Width	Height	Total Height
	151mm(5.94inch)	65mm(2.56inch)	111mm(4.37inch)	117mm(4.61inch)
Approx. Weight	3.3 Kg (7.28 lbs)			
Internal Resistance	Full charged at 25°C: 0.017 Ohm			
Self Discharge	3% of capacity declined per month at (25°C)			
Capacity Affected by Temp.(20HR)	40°C	25°C	0°C	-15°C
	102%	100%	85%	65%
Charge Voltage(25°C)	Cycle use		Float use	
	14.4-15V(-30mV/ °C), max. Current: 2.7A		13.6-13.8V(-20mV/ °C)	

DP-12V9AH

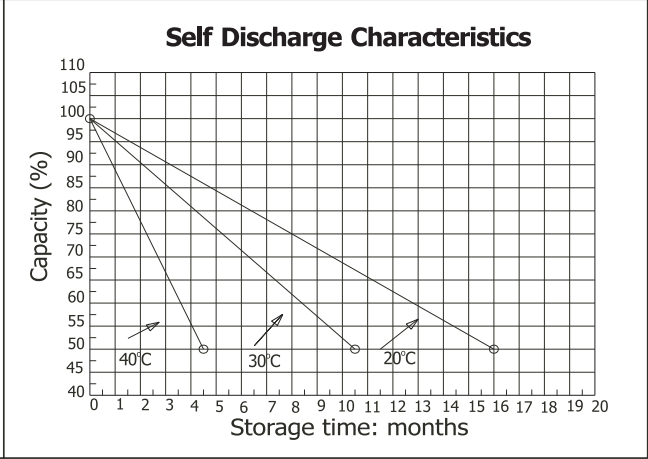
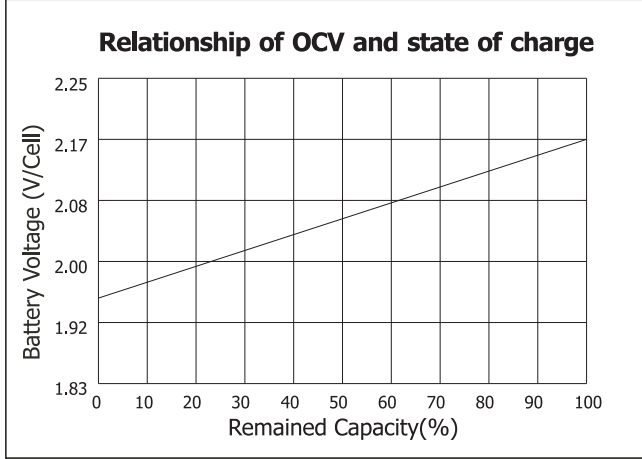
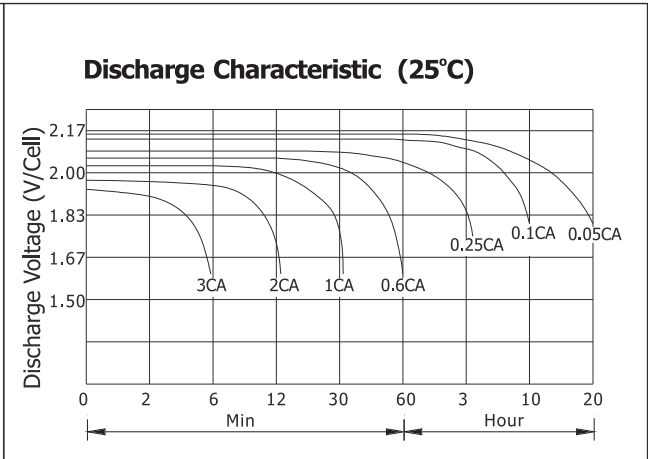
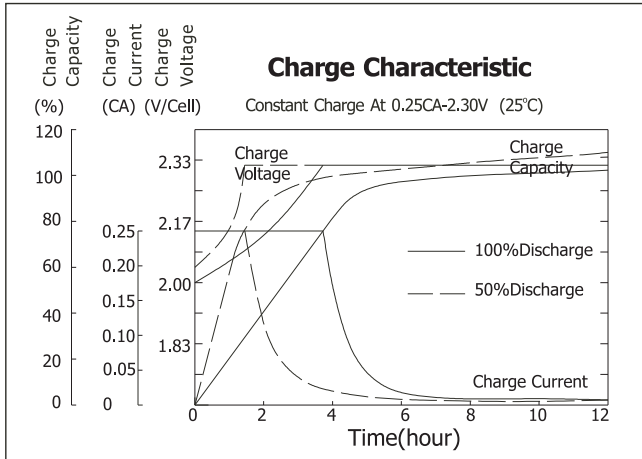


CONSTRUCTION

ComponentRaw material SealantEpoxy
 PositiveLead dioxide Safety valveEPDR
 NegativeLead TerminalCopper
 ContainerABS SeparatorFiber glass
 CoverABS ElectrolyteSulfuric acid

APPLICATIONS

Alarm System Control Equipment
 Cable Television Security System
 Medical Equipment Power tools
 Communication Equipment UPS
 Emergency Power System Toys



Constant current discharge ratings-amperes at 25°C

F.V/Time	5MIN	10MIN	15MIN	30MIN	1HR	3HR	5HR	10HR	20HR
1.60V	35.2	21.9	16.5	10.1	6.40	2.81	1.72	0.96	0.51
1.67V	33.0	20.8	15.9	9.63	6.31	2.70	1.68	0.95	0.49
1.70V	30.2	20.0	15.5	8.75	6.12	2.52	1.64	0.95	0.48
1.75V	29.6	19.4	15.0	8.31	5.83	2.44	1.61	0.93	0.47
1.80V	26.5	18.5	13.6	7.70	5.46	2.34	1.51	0.92	0.45
1.85V	23.4	17.6	12.3	7.09	5.09	2.26	1.42	0.91	0.44

Constant power discharge ratings-watts at 25°C

F.V/Time	5MIN	10MIN	15MIN	30MIN	1HR	3HR	5HR	10HR	20HR
1.60V	61.7	39.5	30.1	18.1	11.5	4.98	2.90	1.92	1.01
1.67V	59.5	38.5	29.8	17.8	11.5	4.82	2.89	1.91	0.97
1.70V	56.0	38.1	29.5	16.6	11.3	4.61	2.85	1.90	0.96
1.75V	56.4	38.0	29.3	16.1	11.1	4.50	2.83	1.87	0.94
1.80V	51.6	37.4	27.1	15.4	10.4	4.37	2.74	1.85	0.91
1.85V	46.8	35.5	24.6	14.4	9.8	4.24	2.65	1.82	0.88