

DS-2DE2C200SCG-E 2 MP ColorVu Network Speed Dome

ColorVu



- High quality imaging with 2 MP resolution
- Clear imaging against strong back light due to DWDR technology
- 3D DNR technology delivers clean and sharp images
- Hik-Connect cloud service and APP for remote management and views of devices
- Built-in microphone and speaker for real-time audio security
- Built-in memory card slot, support microSD/SDHC/SDXC card, up to 256 GB
- Water and dust resistant IP66

▪ Specification

| Camera | |
|-----------------------------|--|
| Image Sensor | 1/2.7" Progressive Scan CMOS |
| Min. Illumination | Color: 0.001 Lux @(F1.0, AGC ON), 0 Lux with Light |
| Max. Resolution | 1920 × 1080 |
| Lens | |
| Focal Length | 2.8 mm/4 mm |
| FOV | 2.8 mm, horizontal FOV 106.1°, vertical FOV 55.8°, diagonal FOV 126.5° 4 mm, horizontal FOV 83.6°, vertical FOV 44.6°, diagonal FOV 99.1° |
| Aperture | F1.0 |
| Illuminator | |
| Supplement Light Type | White Light |
| Supplement Light Range | White Light Distance: up to 30 m |
| Smart Supplement Light | Yes |
| PTZ | |
| Movement Range (Pan) | 0° to 340° |
| Movement Range (Tilt) | -5° to 105° |
| Pan Speed | Pan speed: configurable from 4° to 21°/s |
| Tilt Speed | Tilt speed: configurable from 4° to 19°/s |
| Video | |
| Video Compression | H.265, H.264, MJPEG |
| H.264 Type | Baseline Profile, Main Profile, High Profile |
| H.265 Type | Main Profile |
| Main Stream | 50 Hz: 25 fps (1920 × 1080, 1280 × 720) 60 Hz: 30 fps (1920 × 1080, 1280 × 720) |
| Sub-Stream | 50 Hz: 25 fps (640 × 480, 640 × 360) 60 Hz: 30 fps (640 × 480, 640 × 360) |
| Video Bit Rate | 32 Kbps to 8 Mbps |
| Audio | |
| Audio Compression | G.711alaw/G.711ulaw/G.722.1/G.726/MP2L2/AAC-LC/PCM |
| Audio Bit Rate | 64 Kbps (G.711ulaw/G.711alaw)/16 Kbps (G.722.1)/16 Kbps (G.726)/32 to 160 Kbps (MP2L2)/16 to 64 Kbps (AAC-LC) |
| Audio Sampling Rate | 8 kHz/16 kHz |
| Environment Noise Filtering | Yes |
| Network | |
| Protocols | IPv4/IPv6, HTTP, HTTPS, Qos, DNS, DDNS, NTP, RTSP, RTP, TCP/IP, UDP, DHCP, Bonjour |
| API | Open Network Video Interface, ISAPI, SDK |
| Image | |
| Image Settings | Saturation, brightness, contrast, sharpness |
| Wide Dynamic Range (WDR) | Digital WDR |
| Image Enhancement | BLC, HLC, 3D DNR |
| Interface | |
| Ethernet Interface | 1 RJ45 10 M/100 M self-adaptive Ethernet port |

| | |
|---------------------|---|
| On-board Storage | Built-in memory card slot, support microSD/SDHC/SDXC card, up to 256 GB |
| Built-in Microphone | Yes |
| Built-in Speaker | Yes |
| Reset | Yes |
| Event | |
| Basic Event | Motion detection |
| Alarm Linkage | Upload to FTP, notify surveillance center, send email, upload to memory card |
| General | |
| Operating Condition | With supplement light on: -30 °C to 40 °C. Humidity 95% or less (non-condensing) With supplement light off: -30 °C to 50 °C. Humidity 95% or less (non-condensing) |
| General Function | Mirror, password protection, watermark |
| Power | 12 VDC ± 25%, 0.75 A, max. 9 W, Ø5.5 mm coaxial power plug, reverse polarity protection PoE: 802.3af, 36 V to 57 V, 0.2 A to 0.3 A, max. 10 W |
| Dimensions | Camera dimension: 162 mm × 120 mm × 234.2 mm (6.4" × 4.7" × 9.2") Package dimension: 205 mm × 167 mm × 289 mm (8.1" × 6.6" × 11.4") |
| Weight | Camera weight: 780 g (1.7 lb.) With package weight: 1280 g (2.8 lb.) |
| Approval | |
| EMC | FCC: 47 CFR Part 15, Subpart B; CE-EMC: EN 55032: 2015, EN 61000-3-2:2019, EN 61000-3-3: 2013+A1:2019, EN 50130-4: 2011 +A1: 2014; IC: ICES-003: Issue 7 |
| Protection | IP66: IEC 60529-2013 |

▪ Available Model

DS-2DE2C200SCG-E(F0)

DS-2DE2C200SCG-E(F1)

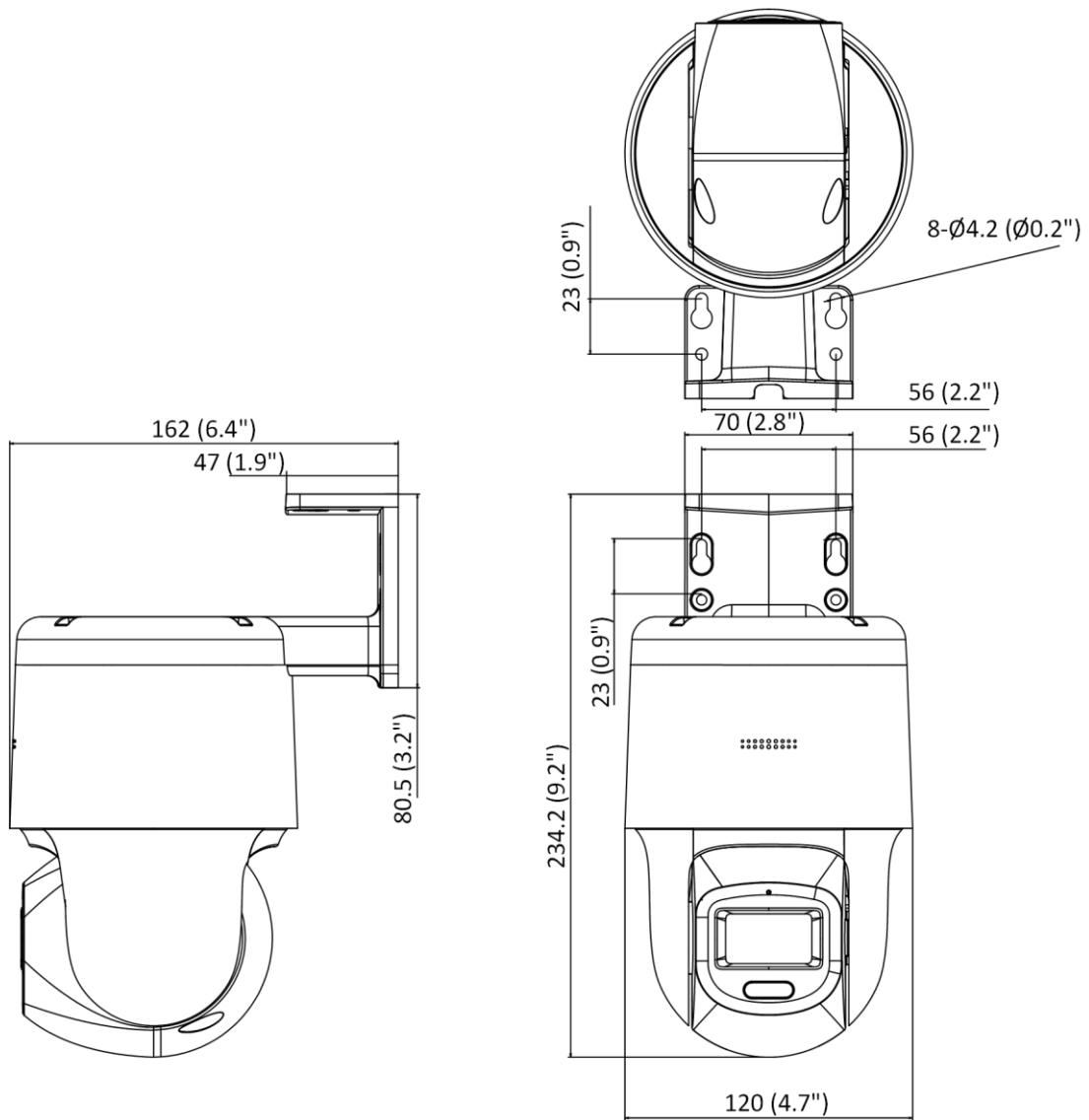
▪ Typical Application

Hikvision products are classified into three levels according to their anti-corrosion performance. Refer to the following description to choose for your using environment.

This model has NO SPECIFIC PROTECTION.

| Level | Description |
|------------------------|--|
| Top-level protection | Hikvision products at this level are equipped for use in areas where professional anti-corrosion protection is a must. Typical application scenarios include coastlines, docks, chemical plants, and more. |
| Moderate protection | Hikvision products at this level are equipped for use in areas with moderate anti-corrosion demands. Typical application scenarios include coastal areas about 2 kilometers (1.24 miles) away from coastlines, as well as areas affected by acid rain. |
| No specific protection | Hikvision products at this level are equipped for use in areas where no specific anti-corrosion protection is needed. |

▪ Dimension



Unit: mm (inch)

Headquarters

No.555 Qianmo Road, Binjiang District,
Hangzhou 310051, China
T +86-571-8807-5998
www.hikvision.com



Follow us on social media to get the latest product and solution information.

