

# 2MP 33x Starlight Network PTZ Dome Camera

IPC6322LR(SR)-X33DU(P)-D



## Key Features

### Optics

- Starlight illumination
- 33x optical zoom
- Accurate and fast focusing
- Smart IR, up to 150m (492ft) IR distance

### Compression

- 2 Megapixel image
- Ultra 265, H.265, H.264, MJPEG
- Triple streams
- Customized OSD

### Network

- ONVIF Conformance

## Structure

- Innovative snow-removing functionality
- Intelligent temperature control technology
- 6KV surge protection designed for network interface
- IP66

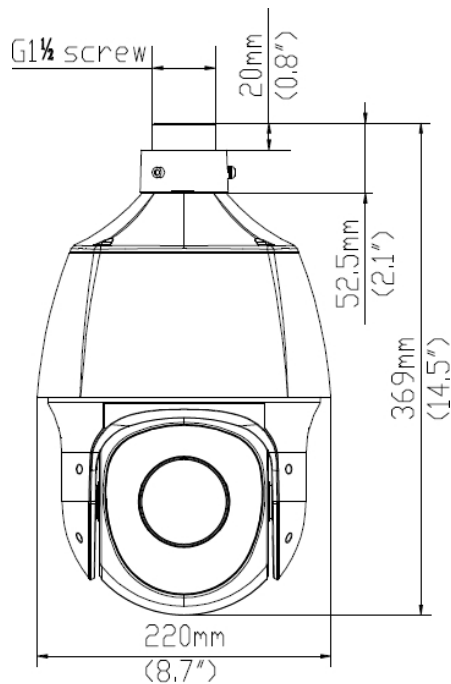
## Specifications

	IPC6322LR-X33DU-D		IPC6322SR-X33DUP-D		
<b>Camera</b>					
Sensor	1/2.8", 2.0 megapixel, progressive scan, CMOS				
Lens	4.5 ~ 148.5mm, AF automatic focusing and motorized zoom lens				
Digital Zoom	16				
Optical Zoom	33				
DORI Distance	Lens (mm)	Detect (m)	Observe (m)	Recognize (m)	Identify (m)
	4.5	72.9(239.3ft)	29.2(95.7ft)	14.6(47.9ft)	7.3(23.9ft)
	148.5	2187.9 (7178.3ft)	875.2(2871.3ft)	437.6(1435.7ft)	218.8(717.8ft)
Angle of View (H)	56.2° ~ 2.6°				
Angle of View (V)	33.5° ~ 1.4°				
Angle of View (O)	65.4° ~ 3.0°				
Shutter	Auto/Manual; shutter time: 1 ~ 1/100000s				
Minimum Illumination	Colour: 0.001 lux (F1.5,AGC ON) 0 lux with IR				
Iris	Auto/Manual; F1.5 ~ F4.0				
WDR	120dB				
Day/Night	IR-cut filter with auto switch (ICR)				
Digital noise reduction	2D/3D DNR				
S/N	>52dB				
IR Range	UP to 150m (492ft)				
Wavelength	850nm				
IR On/Off Control	Auto/Manual				
Defog	Digital Defog				
<b>Video</b>					
Video Compression	Ultra 265, H.265, H.264, MJPEG				
Frame Rate	Main Stream: 2MP (1920*1080), Max 60fps; Sub Stream: 2MP (1920*1080), Max 60fps; Third Stream: D1 (720*576), Max 60fps				
Video Bit Rate	128 Kbps~16 Mbps				
ROI	Up to 8 areas				
Video stream	Triple streams				
OSD	Up to 8 OSDs				

Privacy Mask	24 Blacks(Up to 8 blacks in the same picture)
<b>Image</b>	
White Balance	Auto/Outdoor/Fine Tune/Sodium Lamp/Locked/Auto2
Digital noise reduction	2D/3D DNR
Smart IR	Support
Flip	Normal/Flip Vertical/Flip Horizontal/180°/90°Clockwise/90°Anti-clockwise
HLC	Support
BLC	Support
<b>Smart</b>	
General Function	Watermark, IP Address Filtering, Tampering Alarm, Alarm input, Alarm output, Access Policy, ARP Protection, RTSP Authentication, User Authentication
<b>Audio</b>	
Audio Compression	G.711A, G.711U
Two-way audio	Supported
Sampling Rate	8KHZ
<b>Storage</b>	
Edge Storage	Micro SD, up to 256GB
Network Storage	ANR
<b>Network</b>	
Protocols	IPv4, IGMP, ICMP, ARP, TCP, UDP, DHCP, PPPoE, RTP, RTSP, RTCP, DNS, DDNS, NTP, FTP, UPnP, HTTP, HTTPS, SMTP, 802.1x, SNMP, QoS, RTMP
Compatible Integration	ONVIF (Profile S, Profile G, Profile T), API
Client	EZStation Ezview EZLive
Web Browser	Plug-in required live view: IE9+, Chrome 41 and below, Firefox 52 and below
<b>Pan &amp; Tilt</b>	
Pan Range	360° (endless)
Pan Speed	0.1°/s ~ 240°/s
	Preset speed:300°/s
Tilt Range	-15° ~ 90° (auto reverse)
Tilt Speed	0.1° ~ 80°/s
	Preset speed: 80°/s
Number of Presets	1024
Patrol	Preset patrol, route patrol, recorded patrol
Home Position	Supported
<b>Interface</b>	
Audio I/O	Audio cable
	1 Input: impedance 35kΩ; amplitude 2V *p-p]
	1 Output: impedance 600Ω; amplitude 2V *p-p]
Alarm I/O	2/1
Serial Port	1 RS485
Network	1 RJ45 10M/100M Base-TX Ethernet

Video Output	BNC	
<b>Certifications</b>		
Certifications	CE: EN 60950-1 UL: UL60950-1 FCC: FCC Part 15	
<b>General</b>		
Power	DC 12V±10%	DC 12V±10%, PoE (PSE Required)
	Power consumption:Max 22W	
Dimensions (Ø x H)	Ø220 x 369mm (Ø8.7" x 14.5")	
Net Weight	3.4kg (7.5lb)	
Material	Body : metal + plastic Front cover : plastic	
Working Environment	-40°C ~ 65°C (-40°F ~ 149°F), Humidity: ≤95% RH (non-condensing)	
Storage Environment	-40°C ~ 70°C (-40°F ~ 158°F), Humidity: ≤95% RH (non-condensing)	
Ingress Resistant	IP66	
Surge protection	6KV	

## Dimensions



### Zhejiang Uniview Technologies Co., Ltd.

Building No.10, Wanlun Science Park, Jiangling Road 88, Binjiang District, Hangzhou, Zhejiang, China (310051)

Email: [overseasbusiness@uniview.com](mailto:overseasbusiness@uniview.com); [globalsupport@uniview.com](mailto:globalsupport@uniview.com)

<http://www.uniview.com>

©2020 Zhejiang Uniview Technologies Co., Ltd. All rights reserved.

\*Product specifications and availability are subject to change without notice.