

# 2MP HD IR VF Dome Network Camera

IPC3532LB-ADZK-G



## Key Features



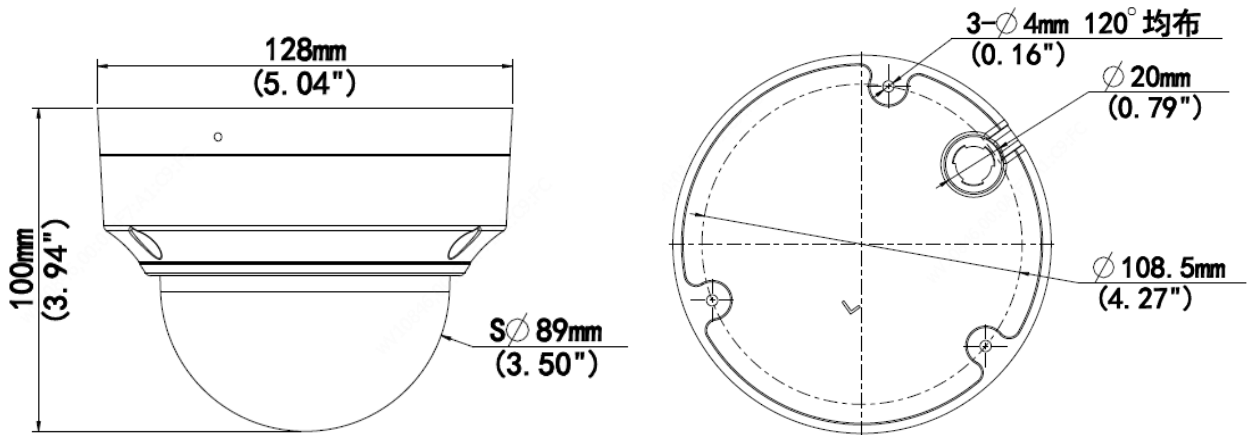
- High quality image with 2MP, 1/2.7"CMOS sensor
- 2MP (1920\*1080)@30/25fps; 720P (1280\*720)@30/25fps
- Ultra 265, H.265, H.264, MJPEG
- 120dB true WDR technology enables clear image in strong light scene
- Support 9:16 Corridor Mode
- Built-in Mic
- Smart IR, up to 40m (131ft) IR distance
- Supports 128 G Micro SD card
- IK10 vandal resistant
- IP67 protection
- Support PoE power supply
- 3-Axis

# Specifications

|                         |  |            |                |               |                   |
|-------------------------|--|------------|----------------|---------------|-------------------|
| IPC3532LB-ADZK-G        |  |            |                |               |                   |
| <b>Camera</b>           |  |            |                |               |                   |
| Sensor                  | 1/2.7", 2.0 megapixel, progressive scan, CMOS  |            |                |               |                   |
| Lens                    | 2.8 ~ 12mm, AF automatic focusing and motorized zoom lens  |            |                |               |                   |
| DORI Distance           | Lens (mm)  | Detect (m) | Observe (m)    | Recognize (m) | Identify (m)      |
|                         | 2.8  | 42.0       | 16.8           | 8.4           | 4.2               |
|                         | 12   | 180.0      | 72.0           | 36.0          | 18.0              |
| Angle of View (H)       | 108.05°~ 32.59°  |            |                |               |                   |
| Angle of View (V)       | 56.81°~ 18.36°   |            |                |               |                   |
| Angle of View (O)       | 111.91°~36.53°   |            |                |               |                   |
| Adjustment angle        | Pan: 3° ~ 360°   |            | Tilt: 0° ~ 70° |               | Rotate: 3° ~ 360° |
| Shutter                 | Auto/Manual, 1 ~ 1/100000s   |            |                |               |                   |
| Minimum Illumination    | Colour: 0.005Lux (F1.6, AGC ON)<br>0Lux with IR  |            |                |               |                   |
| Day/Night               | IR-cut filter with auto switch (ICR)   |            |                |               |                   |
| Digital Noise Reduction | 2D/3D DNR  |            |                |               |                   |
| S/N                     | >52dB  |            |                |               |                   |
| IR Range                | Up to 40m (131ft) IR range   |            |                |               |                   |
| Wavelength              | 850nm  |            |                |               |                   |
| IR On/Off Control       | Auto/Manual  |            |                |               |                   |
| Defog                   | Digital Defog  |            |                |               |                   |
| WDR                     | 120dB  |            |                |               |                   |
| <b>Video</b>            |  |            |                |               |                   |
| Video Compression       | Ultra 265, H.265, H.264, MJPEG   |            |                |               |                   |
| H.264 code profile      | Baseline profile, Main profile, High profile   |            |                |               |                   |
| Frame Rate              | Main Stream: 1080P (1920*1080), Max 30fps; 720P (1280*720), Max 30fps<br>Sub Stream: 720P (1280*720), Max 30fps; D1 (720*576), Max 30fps; 640*360,Max 30fps; 2CIF(704*288), Max 30fps;<br>CIF(352*288), Max 30fps; |            |                |               |                   |
| Video Bit Rate          | 128 Kbps~6144 kbps   |            |                |               |                   |
| 9:16 Corridor Mode      | Supported  |            |                |               |                   |
| OSD                     | Up to 4 OSDs   |            |                |               |                   |
| Privacy Mask            | Up to 4 areas  |            |                |               |                   |
| ROI                     | Up to 8 areas  |            |                |               |                   |
| Motion Detection        | Up to 4 areas  |            |                |               |                   |
| <b>Image</b>            |  |            |                |               |                   |
| White Balance           | Auto/Outdoor/Fine Tune/Sodium Lamp/Locked/Auto2  |            |                |               |                   |
| Digital Noise Reduction | 2D/3D DNR  |            |                |               |                   |
| Smart IR                | Supported  |            |                |               |                   |
| Flip                    | Normal/Vertical/Horizontal/180°/90°Clockwise/90°Anti-clockwise   |            |                |               |                   |
| Dewarping               | N/A  |            |                |               |                   |
| HLC                     | Supported  |            |                |               |                   |
| BLC                     | Supported  |            |                |               |                   |

| Audio                  |  |
|------------------------|--|
| Audio Compression      | G.711  |
| Suppression            | Supported  |
| Sampling Rate          | 8KHZ   |
| Storage                |  |
| Edge Storage           | Micro SD, up to 128GB  |
| Network Storage        | ANR, NAS(NFS)  |
| Smart                  |  |
| Behavior Detection     | Cross line, intrusion(based on human body detection)   |
|                        | motion detection, tampering alarm, audio detection   |
| General Function       | Watermark, IP address filtering, access policy, ARP protection, RTSP authentication, user authentication                           |
| Network                |  |
| Protocols              | IPv4, IGMP, ICMP, ARP, TCP, UDP, DHCP, RTP, RTSP, RTCP, RTMP, DNS, DDNS, NTP, FTP, UPnP, HTTP, HTTPS, SMTP, SSL, QoS, SNMP, 802.1x |
| Compatible Integration | ONVIF (Profile S, Profile G, Profile T), API   |
| Client                 | EZStation  |
|                        | EZView   |
|                        | EZLive   |
| Web Browser            | Plug-in required live view: IE9+, Chrome 41 and below, Firefox 52 and below  |
|                        | Plug-in free live view: Chrome 57.0+, Firefox 58.0+, Edge 16+, Safari 11+  |
| Interface              |  |
| Network                | 10M/100M Base-TX Ethernet  |
| Built-in Mic           | Supported  |
| Certifications         |  |
| Certifications         | CE: EN 60950-1   |
|                        | UL: UL60950-1  |
|                        | FCC: FCC Part 15   |
| General                |  |
| Power                  | DC 12V±25%, PoE (IEEE 802.3af)   |
|                        | Power consumption: Max 7.5W  |
| Dimensions (Ø x H)     | Ø128mmx100mm (Ø5.0" x 3.9")  |
| Net Weight             | 0.66kg (1.46lb)  |
| Material               | Metal + Plastic  |
| Working Environment    | -30°C ~ 60°C (-22°F ~ 140°F), Humidity: ≤95% RH (non-condensing)   |
| Storage Environment    | -30°C ~ 60°C (-22°F ~ 140°F), Humidity: ≤95% RH (non-condensing)   |
| Surge Protection       | 6KV  |
| Ingress Protection     | IP67   |
| Vandal Resistant       | IK10   |
| Reset Button           | Supported  |

## Dimensions

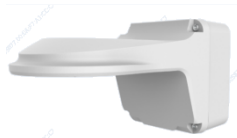


## Accessories

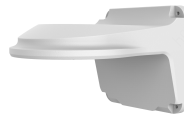
TR-JB03-H-IN



TR-JB07/WM03-F-IN



TR-WM03-B-IN



TR-UP06-IN



TR-A01-IN



TR-SE24-IN

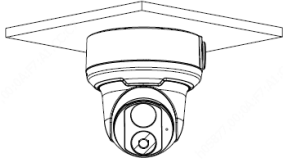
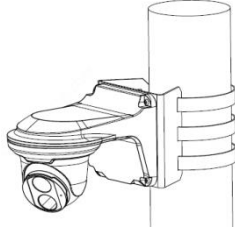
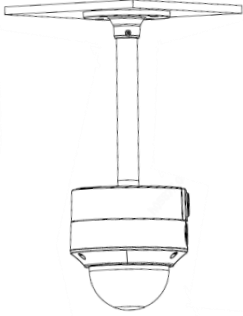


TR-SE24-A-IN



TR-CM24-IN



| Junction Mount  | Pole Mount  |
|---|---|
| TR-JB03-H-IN  | TR-JB07/WM03-F-IN(TR-WM03-B-IN)+TR-UP06-IN  |
|  |  |
| TR-CM24-IN+TR-JB03-H-IN   |   |
|  |   |

**Zhejiang Uniview Technologies Co., Ltd.**

Building No.10, Wanlun Science Park, Jiangling Road 88, Binjiang District, Hangzhou, Zhejiang, China (310051)

 Email: [overseasbusiness@uniview.com](mailto:overseasbusiness@uniview.com); [globalsupport@uniview.com](mailto:globalsupport@uniview.com)
<http://www.uniview.com>

©2020 Zhejiang Uniview Technologies Co., Ltd. All rights reserved.

\*Product specifications and availability are subject to change without notice.