

## DVR-204Q-M1 TURBO HD DVR

### Key Feature

- Deep learning based human and vehicle targets classification of Motion Detection 2.0
- H.265 Pro+/H.265 Pro/H.265/H.264+/H.264 video compression
- HDTVI/AHD/CVI/CVBS/IP video inputs
- Audio via coaxial cable
- Up to 6-ch IP camera inputs (up to 6 MP)
- Up to 1080p@15 fps encoding capability



### Smart Function

- Deep learning based human and vehicle targets classification of Motion Detection 2.0

### Compression and Recording

- H.265 Pro+ video compression improves encoding efficiency, and reduces data storage costs

### Storage and Playback

- 1 SATA interface (up to 10 TB capacity)
- Smart search for efficient playback

### Network & Ethernet Access

- Compatible with major Wi-Fi dongle products in the market
- HiLookVision & DDNS (Dynamic Domain Name System) for easy network management

## ▪ Specification

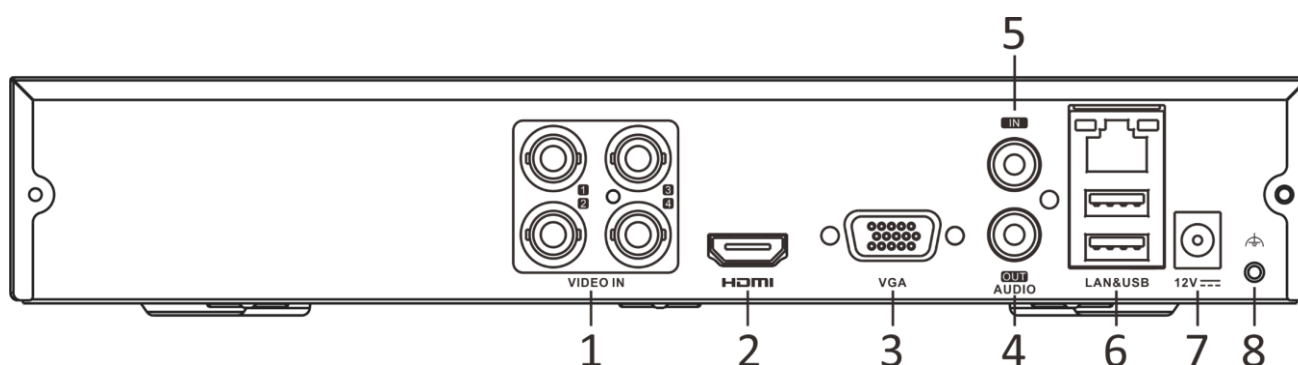
<b>Motion Detection 2.0</b>	
Human/Vehicle Analysis	<p>Deep learning-based motion detection 2.0 is enabled by default for all analog channels, it can classify human and vehicle, and extremely reduce false alarms caused by objects like leaves and lights;</p> <p>Quick search by object or event type is supported;</p>
<b>Recording</b>	
Video Compression	H.265 Pro+/H.265 Pro/H.265/H.264+/H.264
Encoding Resolution	<p>When 1080p Lite mode is not enabled: 4 MP Lite/3 MP/1080p/720p/VGA/WD1/4CIF/CIF;</p> <p>When 1080p Lite mode is enabled: 4 MP Lite/1080p Lite/720p lite/VGA/WD1/4CIF/CIF</p>
Frame Rate	<p>Main stream:</p> <p>When 1080p Lite mode is not enabled:</p> <p>For 4 MP stream access: 4 MP lite@15 fps; 1080p Lite/720p/WD1/4CIF/VGA/CIF@25 fps (P)/30 fps (N)</p> <p>For 3 MP stream access: 3 MP/1080p/720p/VGA/WD1/4CIF/CIF@15 fps</p> <p>For 1080p stream access: 1080p/720p@15 fps; VGA/WD1/4CIF/CIF@25 fps (P)/30 fps (N)</p> <p>For 720p stream access: 720p/VGA/WD1/4CIF/CIF@25 fps (P)/30 fps (N)</p> <p>When 1080p Lite mode is enabled: 4 MP Lite@15 fps; 1080p Lite/720p Lite/VGA/WD1/4CIF/CIF@25 fps (P)/30 fps (N)</p> <p>Sub-stream: WD1/4CIF@12 fps; CIF@25 fps (P)/30 fps (N)</p>
Video Bitrate	32 Kbps to 6 Mbps
Dual-stream	Support
Stream Type	Video, Video & Audio
Audio Compression	G.711u
Audio Bitrate	64 Kbps
<b>Video and Audio</b>	
IP Video Input	<p>1-ch (up to 5-ch)</p> <p>Enhanced IP mode on: 2-ch (up to 6-ch), each up to 4 Mbps</p> <p>Up to 6 MP resolution</p> <p>Support H.265+/H.265/H.264+/H.264 IP cameras</p>

Analog Video Input	4-ch BNC interface (1.0 Vp-p, 75 Ω), supporting coaxitron connection
HDTVI Input	4 MP, 3 MP, 1080p25, 1080p30, 720p25, 720p30, 720p50, 720p60 *: The 3 MP signal input is only available for channel 1.
AHD Input	4 MP, 1080p25, 1080p30, 720p25, 720p30
HDCVI Input	4 MP, 1080p25, 1080p30, 720p25, 720p30
CVBS Input	Support
HDMI Output	1-ch, 1920 × 1080/60Hz, 1280 × 1024/60Hz, 1280 × 720/60Hz, 1024 × 768/60Hz
VGA Output	1-ch, 1920 × 1080/60Hz, 1280 × 1024/60Hz, 1280 × 720/60Hz, 1024 × 768/60Hz
Video Output Mode	HDMI/VGA simultaneous output
Audio Input	1-ch, RCA (2.0 Vp-p, 1 KΩ) 4-ch via coaxial cable
Audio Output	1-ch, RCA (Linear, 1 KΩ)
Two-Way Audio	1-ch, RCA (2.0 Vp-p, 1 KΩ) (using the first audio input)
Synchronous Playback	4-ch
<b>Network</b>	
Total Bandwidth	72 Mbps
Remote Connection	32
Network Protocol	TCP/IP, PPPoE, DHCP, HiLookVision, DNS, DDNS, NTP, SADP, NFS, iSCSI, UPnP™, HTTPS, ONVIF
Network Interface	1, RJ45 10M/100M self-adaptive Ethernet interface
Wi-Fi	Connectable to Wi-Fi network by Wi-Fi dongle through USB interface
<b>Auxiliary Interface</b>	
SATA	1 SATA interface
Capacity	Up to 10 TB capacity for each disk
Alarm In/Out	N/A
USB Interface	Real panel: 2 × USB 2.0
<b>General</b>	
Power Supply	12 VDC, 1.5 A
Consumption	≤ 8 W (without HDD)
Working Temperature	-10 °C to +55 °C (+14 °F to +131 °F)
Working Humidity	10% to 90%
Dimension (W × D × H)	260 × 222 × 45 mm (10.2 × 8.7 × 1.8 inch)
Weight	≤ 1 kg (without HDD, 2.2 lb.)

**Note:**

Enhanced IP mode might be conflicted with smart events (motion detection 2.0) or other functions, please refer to the user manual for details.

## Physical Interface



No.	Description	No.	Description
1	Video and coaxial audio in	5	AUDIO IN, RCA connector
2	HDMI interface	6	LAN network interface and USB interface
3	VGA interface	7	12 VDC power input
4	AUDIO OUT, RCA connector	8	GND

## Available Model

DVR-204Q-M1



### Headquarters

No.555 Qianmo Road, Binjiang District,  
Hangzhou 310051, China  
T +86-571-8807-5998

Technical Support: support@hikvision.com

Follow us on social media to get the latest product and solution information.



Hikvision



HikvisionHQ



HikvisionHQ



Hikvision\_Global



Hikvision  
Corporate Channel



hikvisionhq