

## DS-K1A340FX Face Recognition Terminal



The face recognition terminal supports take attendance via face, fingerprint and other credentials, which is mainly applied in buildings, enterprises, finance buildings, office buildings, security places, etc.

- Local time attendance
- 4.3-inch touch screen and 2 MP camera
- Face anti-spoofing; Face recognition distance: 0.3m to 1.5m
- Face recognition duration < 0.2 s/User; face recognition accuracy rate ≥ 99%
- Deep learning algorithm
- 1500 face capacity, 3000 fingerprint capacity, and 300,000 attendance records
- Export registered face pictures and events from device via USB interface
- Manage, search and set device data after logging in the device locally

*\*Biometric recognition products are not completely applicable to anti-spoofing environments. If you require a higher security level, use multiple authentication modes.*

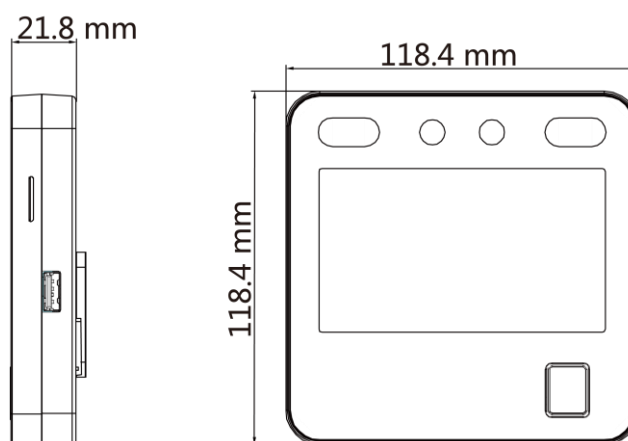
## ▪ Specification

| System                         |  |
|--------------------------------|--|
| Operating system               | Linux  |
| Display                        |  |
| Screen size                    | 4.3-inch   |
| Operation method               | Touch screen   |
| Resolution                     | 480 × 272  |
| Video                          |  |
| Lens                           | 2  |
| Resolution                     | 2 MP   |
| FOV                            | HFOV = 75.5°; VFOV = 41.5°; DFOV = 87°   |
| Video standard                 | PAL (Default) and NTSC   |
| Audio                          |  |
| Volume adjustment              | Support  |
| Capacity                       |  |
| User capacity                  | 1500   |
| Face capacity                  | 1500   |
| Fingerprint capacity           | 3000   |
| Event capacity                 | 300,000 attendance records   |
| Authentication                 |  |
| Face recognition distance      | 0.3 m to 1.5 m   |
| Face recognition accuracy rate | ≥ 99%  |
| Face recognition duration      | ≤ 0.2 s  |
| General                        |  |
| Working temperature            | -10 °C to 40 °C (14 °F to 104 °F)  |
| Dimensions                     | 118.4 mm × 118.4 mm × 21.8 mm (4.7" × 4.7" × 0.9")   |
| Power supply method            | 12 VDC   |
| Application environment        | Indoor   |
| Language                       | English, Spanish (South America), Arabic, Thai, Indonesian, Russian, Vietnamese, Portuguese (Brazil) |

## ▪ Available Model

DS-K1A340FX

## ▪ Dimension



**Headquarters**

No.555 Qianmo Road, Binjiang District,  
Hangzhou 310051, China  
T +86-571-8807-5998  
www.hikvision.com



Follow us on social media to get the latest product and solution information.

