

DS-K1T671TMFW Face Recognition Terminal



- Forced mask wearing alert: If the recognizing face does not wear a mask, the device will prompt a voice reminder. At the same time, the authentication or attendance will be failed
- Face mask wearing alert: If the recognizing face does not wear a mask, the device will prompt a voice reminder. At the same time, the authentication or attendance is valid
- 7-inch LCD touch screen, 2 Mega pixel wide-angle lens, built-in Mifare card reading module
- Face recognition distance (without face mask): 0.3 m to 3 m, Duration < 0.2 s/User, Accuracy rate ≥ 99%
- Max. 50,000 faces capacity, Max. 5000 fingerprints capacity, and Max. 50,000 cards
- Two-way audio with client software, indoor station, and main station
- Supports TCP/IP, Wi-Fi
- Configuration via the web client
- Supports ISAPI and ISUP5.0 protocol
- IP65

▪ Specification

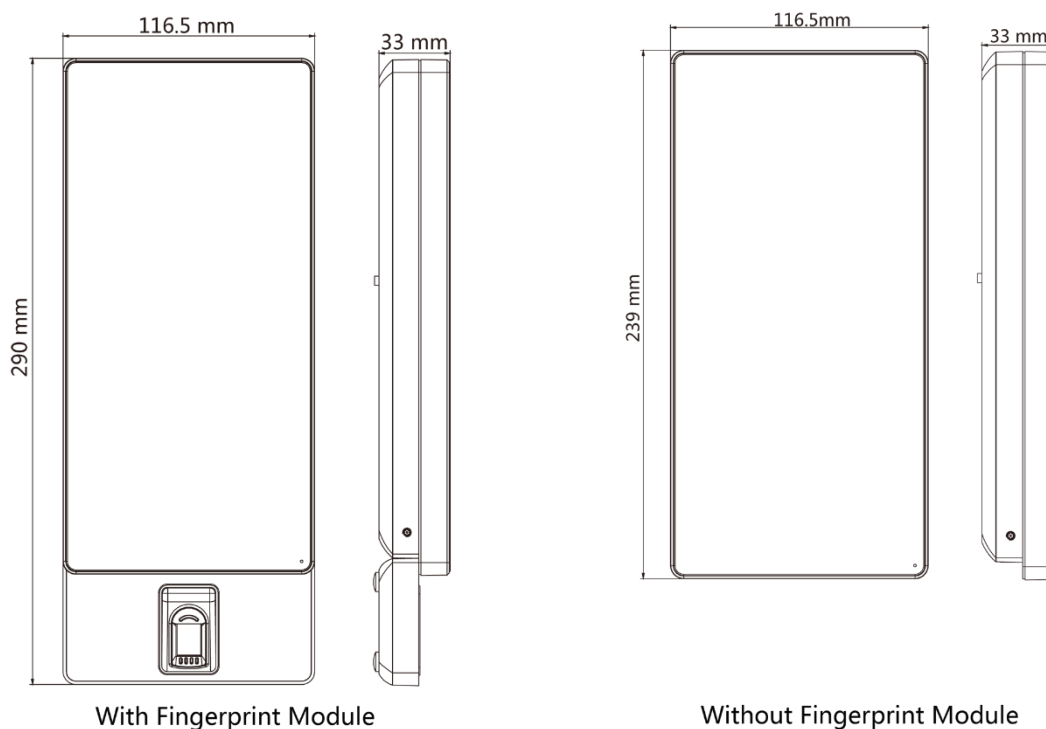
System	
Operation system	Linux
general	
FOV	HFOV= 46°; VFOV=87°
Display	
Dimensions	7-inch
Type	LCD
Operation method	Capacitive touch screen
Video	
Pixel	2 MP
Lens	2
Audio	
Tone quality	Noise suppression and echo cancellation
Network	
Wired network	10 M/100 M/1000 M self-adaptive
Wi-Fi	Support
Interface	
Network interface	1
RS-485	1
Wiegand	1
Lock output	1
Exit button	1
Door contact input	1
IO input	2
IO output	1
Power interface	2-pin
TAMPER	1
USB	2
Capacity	
Card capacity	50,000
Face capacity	50,000
Fingerprint capacity	5000
Event capacity	100,000
Authentication	
Card type	Mifare 1 card
Card reading frequency	13.56 MHz
Card reading distance	0 to 5 cm
Face recognition duration	< 0.2 s per person
Face recognition accuracy rate	≥ 99%
Face recognition distance	0.3 to 3 m (Without face mask)
Function	
QR code recognition	Support
Face anti-spoofing	Support
Advertisement	Support

Audio prompt	Support
Time synchronization	Support
General	
Power supply method	2 pin connector
Power supply	12 VDC/ 2 A
Working temperature	-30 °C to 60 °C (-22 °F to 140 °F)
Working humidity	10 to 90% (No condensing)
Dimensions	290 mm × 116.5 mm × 33 mm (11.4" × 4.6" × 1.3")
Protective level	IP65
Installation	Wall mounting
Language	English, Spanish (South America), Arabic, Thai, Indonesian, Russian, Vietnamese, Portuguese (Brazil)
Platform	Hik-ProConnect and HikCentral Professional

▪ **Available Model**

DS-K1T671TMFW

▪ **Dimension**



- Accessory
- Optional

DS-KAB671-P1	DS-KAB671-B Stand Stick	DS-KAB671-S Protective Shield
