

## DS-K1T671TMW Face Recognition Terminal



- Forced mask wearing alert: If the recognizing face does not wear a mask, the device will prompt a voice reminder. At the same time, the authentication or attendance will be failed
- Face mask wearing alert: If the recognizing face does not wear a mask, the device will prompt a voice reminder. At the same time, the authentication or attendance is valid
- 7-inch LCD touch screen, 2 Mega pixel wide-angle lens, built-in Mifare card reading module
- Face recognition distance (without face mask): 0.3 m to 3 m, Duration < 0.2 s/User, Accuracy rate ≥ 99%
- Max. 50,000 faces, Max. 50,000 cards
- Two-way audio with client software, indoor station, and main station
- Supports TCP/IP, Wi-Fi
- Configuration via the web client
- Supports ISAPI and ISUP5.0 protocol
- IP65

## ▪ Specification

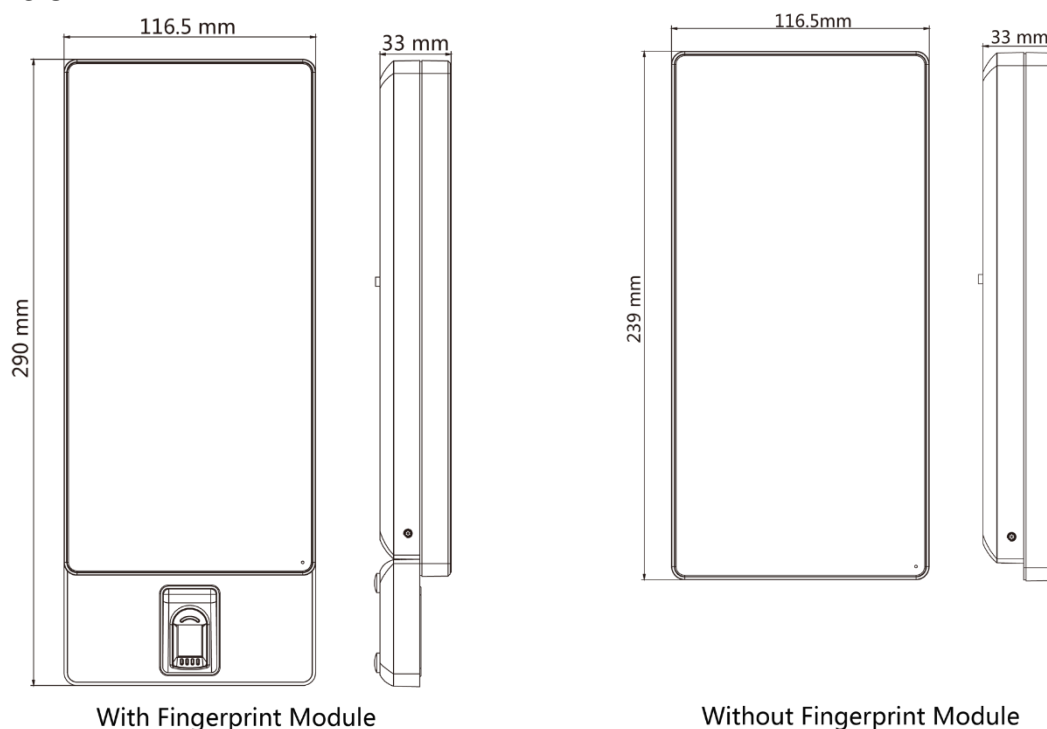
<b>System</b>	
Operation system	Linux
<b>general</b>	
FOV	HFOV= 46°; VFOV=87°
<b>Display</b>	
Dimensions	7-inch
Type	LCD
Operation method	Capacitive touch screen
<b>Video</b>	
Pixel	2 MP
Lens	2
<b>Audio</b>	
Tone quality	Noise suppression and echo cancellation
<b>Network</b>	
Wired network	10 M/100 M/1000 M self-adaptive
Wi-Fi	Support
<b>Interface</b>	
Network interface	1
RS-485	1
Wiegand	1
Lock output	1
Exit button	1
Door contact input	1
IO input	2
IO output	1
Power interface	2-pin
TAMPER	1
USB	2
<b>Capacity</b>	
Card capacity	50,000
Face capacity	50,000
Event capacity	100,000
<b>Authentication</b>	
Card type	Mifare 1 card
Card reading frequency	13.56 MHz
Card reading distance	0 to 5 cm
Face recognition duration	< 0.2 s per person
Face recognition accuracy rate	≥ 99%
Face recognition distance	0.3 to 3 m (Without face mask)
<b>Function</b>	
QR code recognition	Support
Face anti-spoofing	Support
Advertisement	Support
Audio prompt	Support

Time synchronization	Support
<b>General</b>	
Power supply method	2 pin connector
Power supply	12 VDC/ 2 A
Working temperature	-30 °C to 60 °C (-22 °F to 140 °F)
Working humidity	10 to 90% (No condensing)
Dimensions	239 mm × 116.5 mm × 33 mm (9.4" × 4.6" × 1.3")
Protective level	IP65
Installation	Wall mounting
Language	English, Spanish (South America), Arabic, Thai, Indonesian, Russian, Vietnamese, Portuguese (Brazil)
Platform	Hik-ProConnect and HikCentral Professional

▪ **Available Model**

DS-K1T607TMW

▪ **Dimension**



▪ **Accessory**

▪ **Optional**

<b>DS-KAB671-S</b> <b>Protective Shield</b>	<b>DS-KAB671-B</b> <b>Stand Stick</b>	<b>DS-KAB671F</b> <b>Fingerprint</b> <b>Module</b>	<b>DS-KAB671-P1</b>
