

# K20

## IP terminal Of Fingerprint



K20 is an elegant and innovative IP biometric terminal designed to manage the attendance of employees and control the access of a door

It supports the connection of an electric lock and exit button in addition to being equipped with a backup battery to continue operating in case of power failure

It can be managed by network through its TCP / IP interface and has a USB port for manual data transfer using a USB memory or export the assistance report in Excel format

The K20 incorporates ZKTeco's fastest and most accurate fingerprint identification algorithm, delivering excellent performance, stability and reliability

---

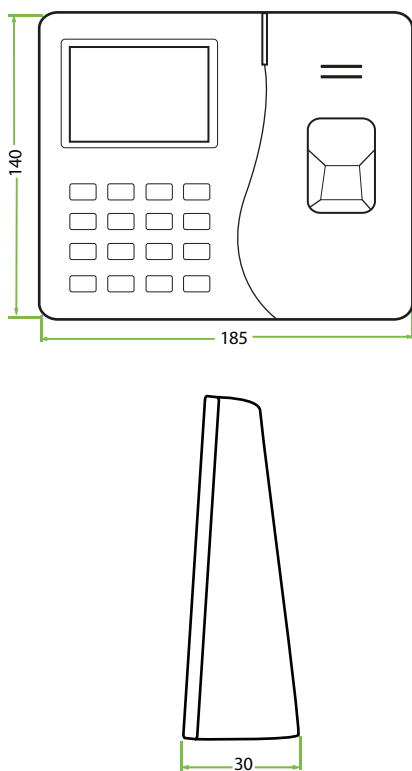
## characteristics

- Elegant and modern design
- 2.8 inch TFT color LCD display
- TCP / IP interface and USB-Host port
- Includes Lite software for assistance management
- The attendance report is exported in Excel format using a USB stick
- Equipped with battery backup power. Multiple languages
- Simple administration and scalability

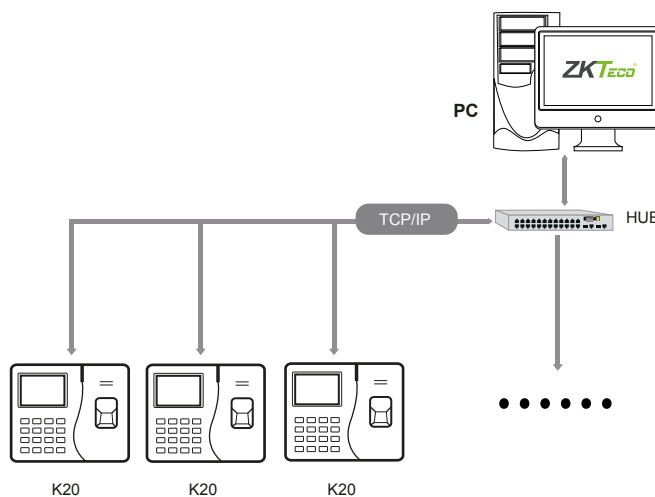
# Especificaciones

screen	Inch TFT 2.8
Footprint Capability	500
Card Capacity	(Standard) 500
Event Capability	50.000
Communication	TCP/IP, USB-Host
Standard Functions	Timed Ring, SMS, Work Code, Daylight Saving Time, SSR Report, Self-Service Search, Automatic Status Change, T9 Input 9 Digit ID, ID Card
Power supply	5V 0.8A
Operating Temperature	0°c a 45°c
Operating Humidity	20% - 80%
Dimensions	185 x 140 x 30 mm

## Dimensions



## Application Diagram



### ZKTeco Latin America

German Center 3-2-02, Av. Santa Fe No. 170, Lomas de Santa Fe, Álvaro Obregón, 01210 Mexico  
 D.F. (52) 55 - 5292 8418  
[www.zktecolatinoamerica.com](http://www.zktecolatinoamerica.com)